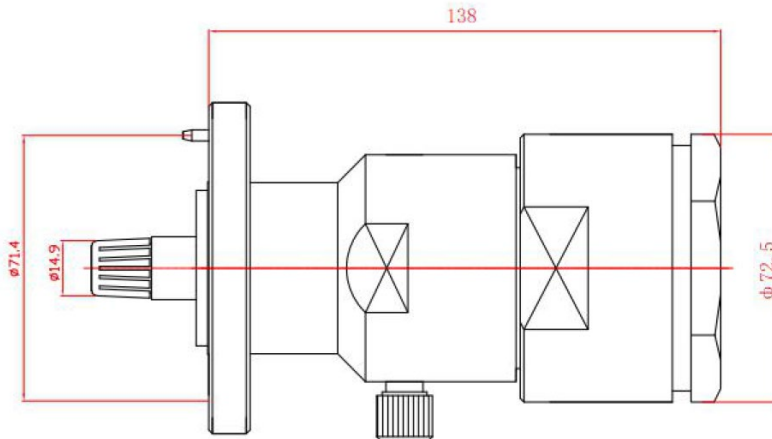


# DATA SHEET

**ASCEND**

EIA Connector

IF70Q-J136



## Description

1-5/8 in EIA Male Gas Barrier Flange Connector for SDY-50-40(1-5/8") air dielectric cable.

## General Specifications

Interface	1-5/8 in EIA Male
Body Style	Straight

## Electrical Specifications

Characteristic Impedance	50 ohm
Frequency Range	0 - 1 GHz
Insulation Resistance	$\geq 10000 \text{ M}\Omega$
Voltage Withstanding	7000 V
VSWR	$\leq 1.05$

## Mechanical Specifications

Durability	Mating cycles $\geq 500$
Separating force	$\leq 100\text{N}$

## Material and plating

Piece parts	Material	Plating
Contact Part	Beryllium Bronze/Tin Bronze	Silver or Gold
Insulator	PTFE	N/A
O-ring	Silicone Rubber	N/A
Other	Brass	Nickel or Silver


## Environmental Specifications

Operating Temperature	-40°C to +85°C
Relative Humidity	$\leq 90\%$

While the information has been carefully compiled to the best of our knowledge, nothing is intended as representation or warranty on our part and no statement herein shall be construed as recommendation to infringe existing patents. In the effort to improve our products, we reserve the right to make changes judged to be necessary.

Tianjin Zhonghuan Ascend Technologies Co.Ltd.  
NO.71 TaihuaRoad, TEDA,Tianjin,China  
P.C.: 300457

TEL:+86-022-59886766  
FAX:+86-022-25322909  
E-MAIL:ascend@china-ascend.com

<b>DATA SHEET</b>	
EIA Connector	IF70Q-J136

<b>Packing</b>	
Standard	1pce in plastic bag & box.

While the information has been carefully compiled to the best of our knowledge, nothing is intended as representation or warranty on our part and no statement herein shall be construed as recommendation to infringe existing patents. In the effort to improve our products, we reserve the right to make changes judged to be necessary.		
Tianjin Zhonghuan Ascend Technologies Co.Ltd. NO.71 TaihuaRoad, TEDA,Tianjin,China P.C.: 300457	TEL:+86-022-59886766 FAX:+86-022-25322909 E-MAIL:ascend@china-ascend.com	2/ 2