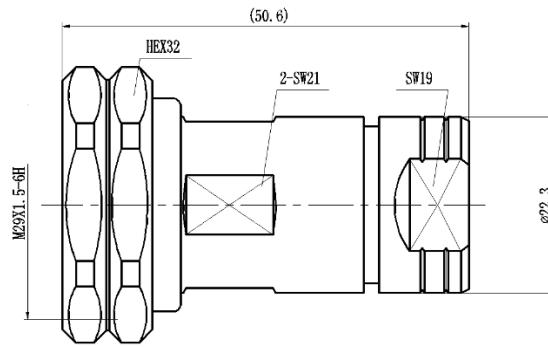


# DATA SHEET



7/16 Male connector for 1/2 " air cable

DIN-M-1/2-AIR



## Interface

According to IEC 60169-4

## Electrical Specifications

Characteristic Impedance	50 ohm
Frequency Range	DC – 3GHz
VSWR	≤ 1.15
PIM Intermodulation@2-tonex20w	≤ -155 dBc
Insertion Loss(3G)	≤0.05*√f dB
Dielectric Withstanding Voltage	≥1500V RMS,50Hz,at sea level
Insulation Resistance	≥5000 MΩ

## Mechanical Specifications

Durability Mating cycles ≥ 500

## Material and plating

Piece parts	Material	Plating
Body	Brass	Tri-Alloy
Insulator	PTFE	N/A
Center conductor	Brass	Ag

## Environmental Specifications

Operating Temperature	-40°C to +85°C
Water tightness	IP67
RoHS compliance	Full RoHS compliance

While the information has been carefully compiled to the best of our knowledge, nothing is intended as representation or warranty on our part and no statement herein shall be construed as recommendation to infringe existing patents. In the effort to improve our products, we reserve the right to make changes judged to be necessary.

Tianjin Zhonghuan Ascend Technologies Co.Ltd.  
No.71 Taihua Road, Economic-technical Development  
Zone, Tianjin, P.R.China P.C.: 300457  
TEL:+86-022-59886766  
FAX:+86-022-25322909  
E-MAIL: ascend@china-ascend.com